

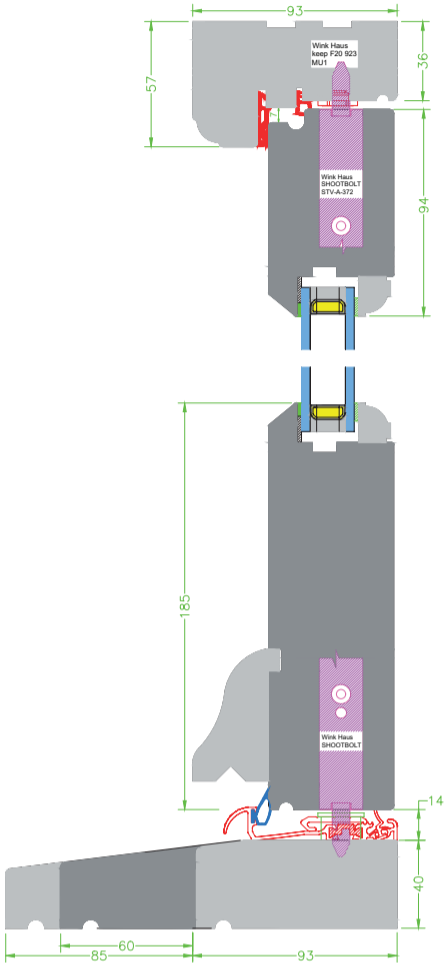
# CONSERVATION RANGE

## HERITAGE DOUBLE DOORS (OPEN IN)

Our timber double doors are the classic French doorset, available as either outward or inward opening.

This inward opening version offers flexible design options for traditional, contemporary or modern styling. The doors are suitable for a range of threshold options, including mobility access.

The double doors are energy efficient and PAS 24:2016 certified for high security. The system is also Secured by Design.



						
<b>PAS24:2016 FOR SECURITY</b>	<b>SECURED BY DESIGN SYSTEM</b>	<b>DOCUMENT Q COMPLIANT</b>	<b>DOCUMENT L COMPLIANT</b>	<b>DOCUMENT M COMPLIANT</b>	<b>BS6375-1 2009 WEATHER TIGHTNESS</b>	<b>DOUBLE OR TRIPLE GLAZING</b>

### SPECIFICATION

<b>Frame Options</b>	93mm x 57mm Jambes 93mm x 68mm Head 93mm x 40mm Cill with Metal Storm guard Threshold 93mm x 68mm Transom & Mullion
<b>Door</b>	94 x 57mm Top Rail & Stiles 160mm x 57mm Bottom & Mid Rail Overall meeting stile width - 190mm 22mm - Glazing Bar
<b>Door Profile</b>	Ovolo
<b>Cill Projection</b>	35mm, 50mm, 70mm
<b>Glazing</b>	24mm Low E Sealed Unit (4mm/16mm/4mm) with Argon gas  Black Warm Edge Spacer Options - Obscure, Sound Control, Toughened & Laminated, Security Bead & Clip glazing system

### HARDWARE / FITTINGS

<b>Hardware</b>	Lift Off Radius Butt Hinges Multi-point Thunderbolt Lever handle set on each door Storm Guard Threshold
<b>Handles</b>	See Ironmongery brochure for vast range of lever handles in assorted finishes.
<b>Trickle Vents</b>	Surface mounted internal vent and external canopy 4600EA

### TEST DATA

<b>BS6375 Part 1</b>	Air Permeability Class 2, Water tightness Class 3A Resistance To Wind Load Class 800X
<b>Acoustic Rating</b>	RW(C;Ctr) = 36 (-2,6) db (With Sound Control Glass)
<b>Thermal Rating</b>	1.4 W/m <sup>2</sup> K (with double glazing)
<b>Security</b>	PAS 24 and Secured by Design where required