

# CONSERVATION RANGE

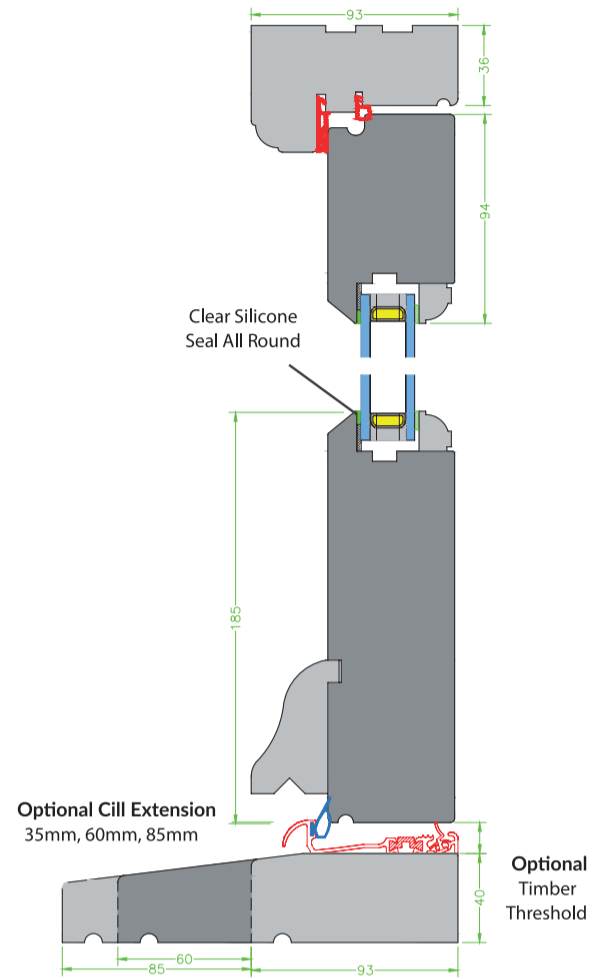
## HERITAGE SINGLE DOOR (OPEN IN)

Our timber entrance doors are available to open either outward or inwards.

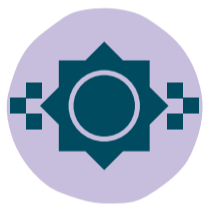
The Document Q compliant door is energy efficient and features high security multi-point locking.

The flexible inward opening design is suitable for main entrance, side or rear doors. It allows for various glass and solid panel combinations. This makes it easy to produce almost any style of door.

For wide entrances see the Double Door option.



**PAS24:2016 FOR SECURITY**



**SECURED BY DESIGN SYSTEM**



**DOCUMENT Q COMPLIANT**



**DOCUMENT L COMPLIANT**



**DOCUMENT M COMPLIANT**



**BS6375-1 2009 WEATHER TIGHTNESS**



**DOUBLE OR TRIPLE GLAZING**

### SPECIFICATION

<b>Frame Options</b>	93mm x 57mm Jambs 93mm x 68mm Head 93mm x 40mm Cill with Metal Storm guard Threshold 93mm x 68mm Transom & Mullion
<b>Door</b>	94 x 57mm Top Rail & Stiles 160mm x 57mm Bottom & Mid Rail 22mm - Glazing Bar
<b>Door Profile</b>	Ovolo
<b>Cill Projection</b>	35mm, 50mm, 70mm, 90mm
<b>Glazing</b>	24mm Low E Sealed Unit (4mm/16mm/4mm) with Argon gas  Black Warm Edge Spacer Options - Obscure, Sound Control, Toughened & Laminated, Security Bead & Clip glazing system

### HARDWARE / FITTINGS

<b>Hardware</b>	Lift Off Radius Butt Hinges Multi-point Thunderbolt or Slam Shut lock Storm Guard Threshold Lever Handle Option - Knob/Pull handle with additional cylinder pull Option - Letterplate
<b>Handles</b>	See Ironmongery brochure for vast range of all ironmongery in assorted finishes.
<b>Trickle Vent</b>	Surface mounted internal vent and external canopy 4600EA

### TEST DATA

<b>BS6375 Part 1</b>	Air Permeability Class 2, Water tightness Class 3A Resistance To Wind Load Class 800X
<b>Acoustic Rating</b>	RW(C;Ctr) = 36 (-2,6) db (With Sound Control Glass)
<b>Thermal Rating</b>	1.4 W/m <sup>2</sup> K (with double glazing)
<b>Security</b>	PAS 24 and Secured by Design where required